



001 HIGH FLOW – HIGH PRESSURE

During design, high flow capacity and pressure rating have been prioritised.

2 x Ø17,8mm full bore through for excellent flow capacity.

BLUE LOGIC Ø89 HOT STAB PROGRAM

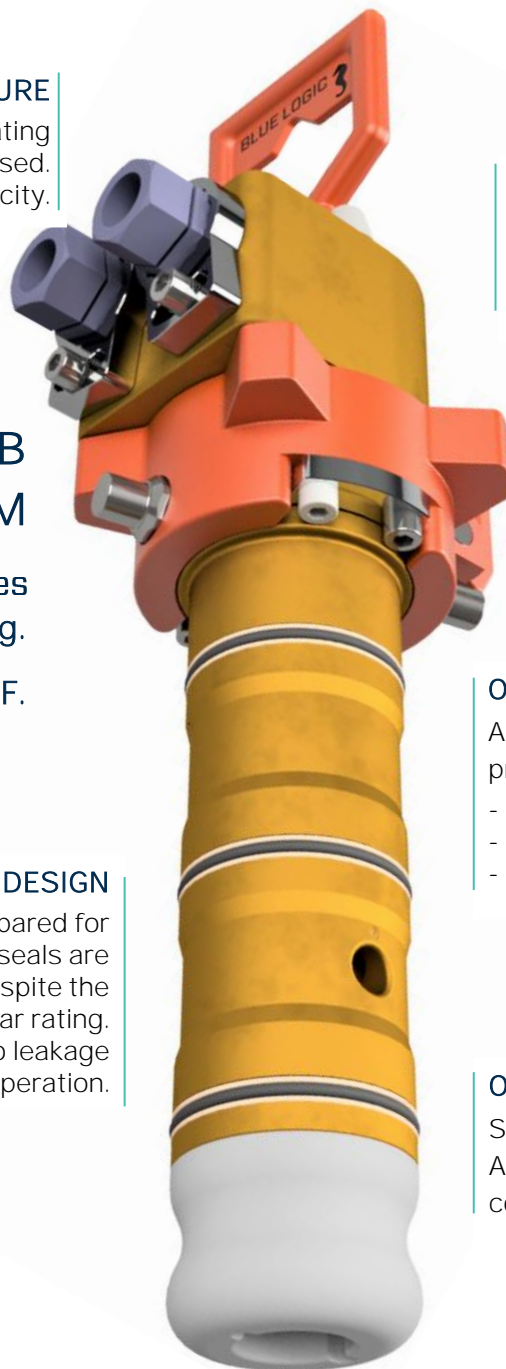
Blue Logic's Ø89 Hot Stab System combines high flow with high pressure rating.

Qualified according to API 17D PR2F.

005 RUGGED DESIGN

The Ø89 Dual Port Stab and Receptacle are prepared for critical operations in demanding environment. The seals are suitable for repeated connect/disconnect cycles despite the 10 000Psi / 690 Bar rating.

The fittings have anti-vibration plates to ensure no leakage during operation.



002 FLEXIBLE HOSE CONNECTION

The 1" MP ports on the male stab are available with either 15°, 60° or 90° exit angle for maximum flexibility.

003 SECURE CONNECTION

A swivel-mounted J-lock feature keeps the Hot Stab arrested to the Receptacle, ideal for critical operations. The J-lock has a secondary lock to prevent un-intentional release of the J-lock.

004 COMPLETE SYSTEM

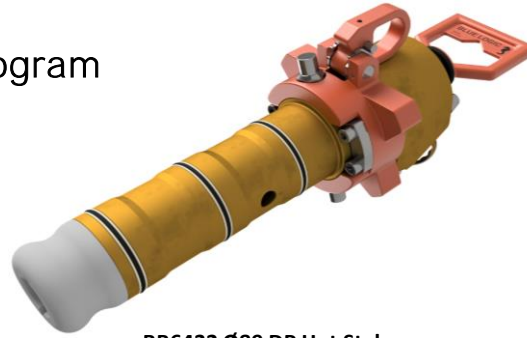
A large range of components available to suit any project requirement.

- Protection stabs
- Pressure stabs
- Parking receptacles

006 EASY OPERATION

Stab nose in PEHD 1000 material and stab body in JM7 Aluminum Bronze ensure minimum friction upon connect and disconnect.

Blue Logic Ø89 Hot Stab Program



BB6432 Ø89 DP Hot Stab



BB6465 Ø89 DP Pressure Stab

Technical Data

General Data					
Design standard	API 17H Type 3				
Qualification	Qualified according to API 17D PR2F				
Depth rating	3000m				
Operating temp.	-18 to +121°C				
Fluid compatibility ¹	Mineral based control fluids, Synthetic control fluids, MEG, Seawater ++				
Specific Product Data	Ø89 DP Hot Stab, BB6432	Ø89 DP Receptacle 1" WN Sch160, BB6463	Ø89 DP Receptacle 1" WN Sch80, BB8388	Ø89 DP Pressure Stab, BB6465	Ø89 Parking Receptacle, BB6497
Material ²	UNSC63200 (JM7)	Super Duplex	Super Duplex	Super Duplex	PEHD 1000
Seal material ³	RU-15 (HNBR)	N/A	N/A	RU-15 (HNBR)	N/A
Dimensions	Ø190 x 616mm	Ø270 x 300mm	Ø270 x 300mm	Ø190 x 531mm	Ø270 x 283mm
Weight, air/water	32,6 / 28,4kg	49,3 / 42,8kg	48,5 / 42,1kg	20,1 / 17,2kg	12,5 / 9,0kg
Hydraulic interface ⁴	Autoclave 1"MP	1" Weld neck,sch.160	1" Weld neck,sch.80	N/A	N/A
Hydraulic bore	Ø17,8mm	Ø20,7mm	Ø24,3mm	N/A	N/A
Max. flow	TBA	TBA	TBA	N/A	N/A
Working pressure	690Bar / 10 000Psi	690Bar / 10 000Psi	690Bar / 10 000Psi	690Bar / 10 000Psi	N/A



BB6463 Ø89 DP Receptacle



BB6497 Ø89 Parking Receptacle

1: For special fluids, contact Blue Logic

2: Other materials available upon request

3: Material to suit special medium available upon request

4: Other hydraulic interfaces available upon request